

Pipe support Type OS

Construction details:

Cage: built in Fe 360, opened and stamped

Roll: built in carbon steel (standard)

Stud: built in stainless steel INOX AISI 303

Buckles: built in bronze auto-lubricating type

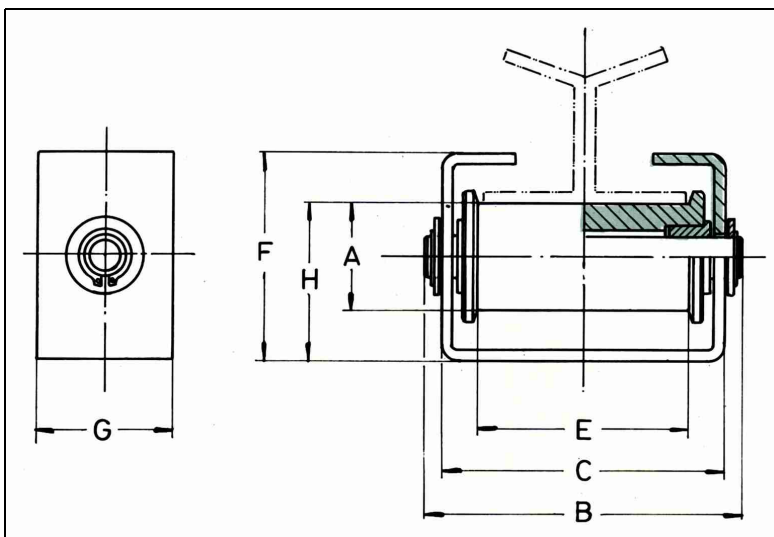
Treatment: zinc plated (white colour)

Applications:

This type of support has on purpose been studied for allowing the support and the longitudinal slide of coated pipelines. It can also be used in pipelines not coated to subsequently reduce the resistance of the pipeline in the zone of contact with the roll. The support has to be installed together with a saddle of support (Type SL) to which the pipeline is placed for avoiding the direct contact between the roll and the coating. To every type of roll it must be combines the right saddle.

Installation:

The support is connected to the plant through weldings.



Type	Saddle type [mm]	Pipe diameter [mm]	Maxload [kg]	A [mm]	B [mm]	C [mm]	E [mm]	F [mm]	G [mm]	H [mm]
OS 60	GR 1	80	600	21	88	82	64	40	35	30
OS 75	GR 2	180	1000	40	108	95	65	77	50	61
OS 100	GR 3	300	1500	52	150	135	102	100	65	76
OS 120	GR 4	500	2500	68	210	190	145	130	90	100

Type	F [kg]	T [kg]
OS 60	600	200
OS 75	1000	350
OS 100	1500	500
OS 120	2500	850

Changes are possible without notice.