

Pipe support Type OM

Construction details:

Cage: built in Fe 360, opened and stamped

Roll: built in carbon steel (standard)

Stud: built in stainless steel INOX AISI 303

Buckles: built in bronze auto-lubricating type

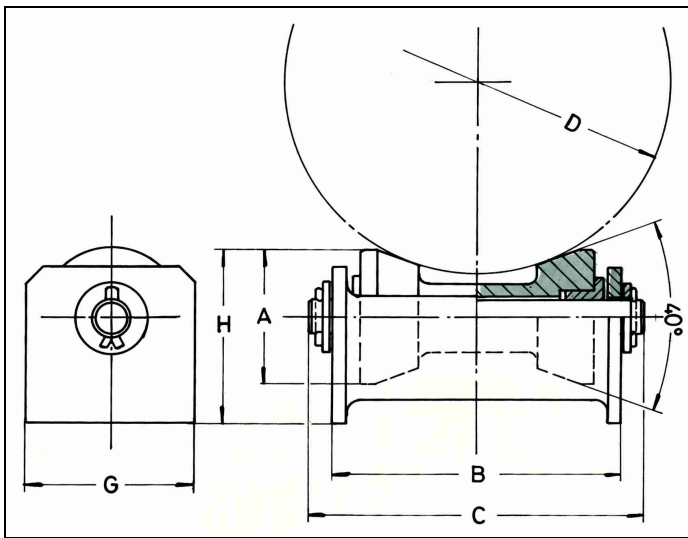
Treatment: zinc plated (white colour)

Applications:

This type of support is used as element of guide and a support for the pipelines. Thanks to the concave form of the roll, it allows a lateral containment of the pipeline. It allows also the longitudinal slide of the pipeline. And it's particularly suitable for withstanding a sideway load of 35% of the vertical load applied by the pipeline.

Installation:

The support is connected to the plant through bolts.



Type	D min [mm]	D max [mm]	Maxload [kg]	A [mm]	B [mm]	C [mm]	G [mm]	H [mm]
OM 100	200	300	2000	95	170	190	130	110
OM 150	350	500	4000	135	220	250	160	155
OM 200	500	650	7000	160	280	310	190	185
OM 250	650	800	13000	180	350	380	210	210

Type	F [kg]	T [kg]
OM 100	2000	700
OM 150	4000	1400
OM 200	7000	2400
OM 250	13000	4500

Changes are possible without notice.