

Pipe support Type OL

Construction details:

Cage: built in Fe 360, opened and welded

Roll: built in carbon steel (standard)

Stud: built in stainless steel INOX AISI 303

Buckles: built in bronze auto-lubricating type

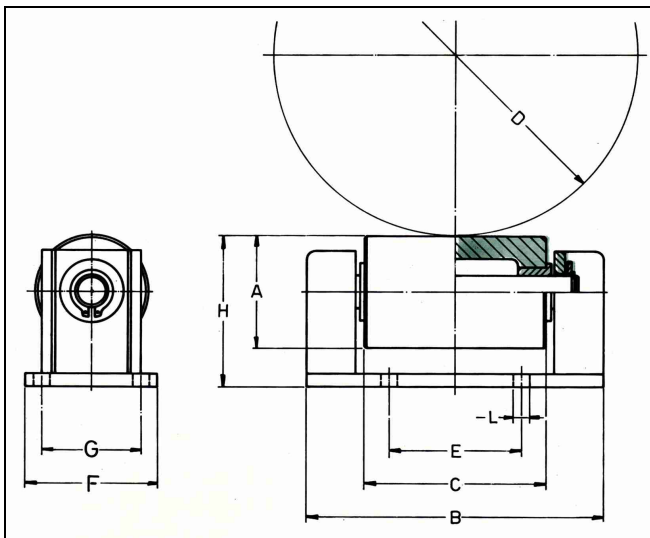
Treatment: zinc plated (white colour)

Applications:

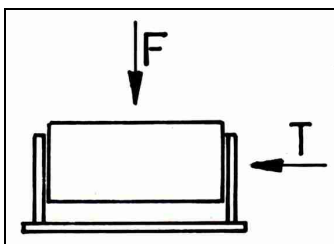
This type of support is particularly proper to sideways drive the pipelines, but it is also used as guide of horizontal slide allowing to eliminate resistance between the pipeline and its supports.

Installation:

They are connected to the plant through bolts.



Type	D min [mm]	D max [mm]	Max-load [kg]	A [mm]	B [mm]	C [mm]	E [mm]	F [mm]	G [mm]	H [mm]	L [mm]
OL 100	50	150	1000	48	142	81	60	71	54	62	8
OL 150	100	300	2000	68	180	110	80	80	60	92	10
OL 200	200	500	3200	88	245	145	100	100	75	114	12



Type	F [kg]	T [kg]
OL 100	1000	350
OL 150	2000	700
OL 200	3200	1100

Changes are possible without notice.