

Pipe support Type OL

Construction details:

Cage: built in Fe 360, opened and stamped

Roll: built in carbon steel (standard)

Stud: built in stainless steel INOX AISI 303

Buckles: built in bronze auto-lubricating type

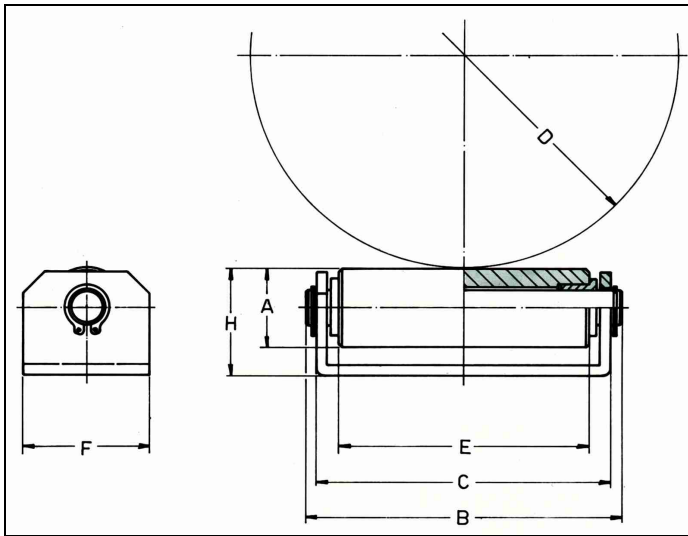
Treatment: zinc plated (white colour)

Applications:

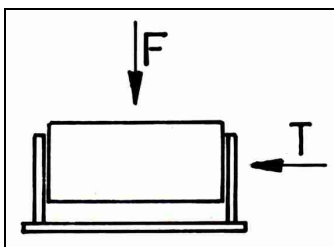
This type of support is particularly proper to sideways drive the pipelines, but it is also used as guide of horizontal slide allowing to eliminate resistance between the pipeline and its supports.

Installation:

They are connected to the plant through welding.



Type	D min [mm]	D max [mm]	Maxload [kg]	A [mm]	B [mm]	C [mm]	E [mm]	F [mm]	H [mm]
OL 40	0	160	600	22	88	82	70	35	30
OL 60	50	160	600	22	120	110	97	35	30



Type	F [kg]	T [kg]
OL 40	600	200
OL 60	600	200

Changes are possible without notice.