

Pipe support Type OD

Construction details:

Cage: built in Fe 360, opened and welded

Roll: built in carbon steel (standard) - Nylon, Teflon (for insulating type)

Stud: built in stainless steel INOX AISI 303

Buckles: built in bronze auto-lubricating type

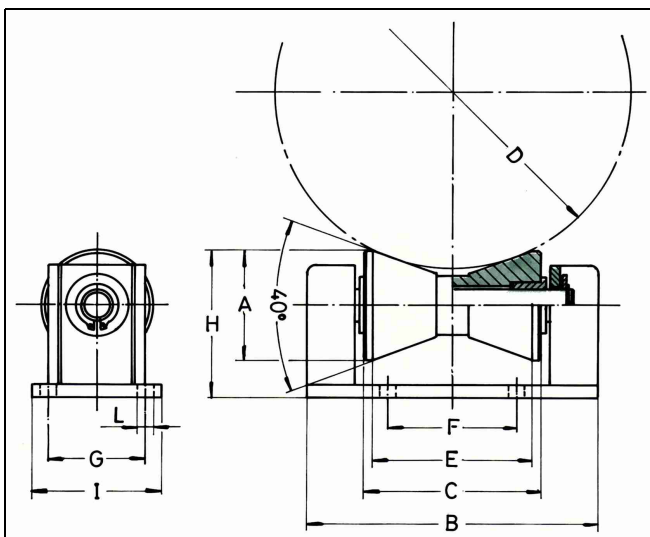
Treatment: zinc plated (white colour)

Applications:

This type of support is used as element of guide and a support for the pipelines. Thanks to the concave form of the roll, it allows a lateral containment of the pipeline. It allows also the longitudinal slide of the pipeline. And it's particularly suitable for withstanding a sideway load of 35% of the vertical load applied by the pipeline. It can be realized with roll made in conductor material or insulating material.

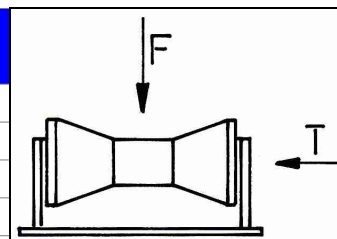
Installation:

The support is connected to the plant through bolts.



Type	D min [mm]	D max [mm]	Maxload [kg]	A [mm]	B [mm]	C [mm]	E [mm]	F [mm]	G [mm]	H [mm]	I [mm]	L [mm]
OD 50	50	100	500	40	105	55	43	50	45	55	55	7
OD 100	100	180	1000	48	142	81	75	60	54	62	71	8
OD 150	150	250	2000	68	180	110	100	80	60	92	80	10
OD 200	200	350	3200	88	245	145	110	110	75	114	100	12

Type	F [kg]	T [kg]
OD 50	500	150
OD 100	1000	350
OD 150	2000	700
OD 200	3200	1100



Changes are possible without notice.