

Pipe support Type OC

Construction details:

Cage: built in Fe 360, opened and stamped

Roll: built in carbon steel (standard)

Stud: built in stainless steel INOX AISI 303

Buckles: built in Fe 360 with internal ring of P.T.F.E. auto-lubricating type

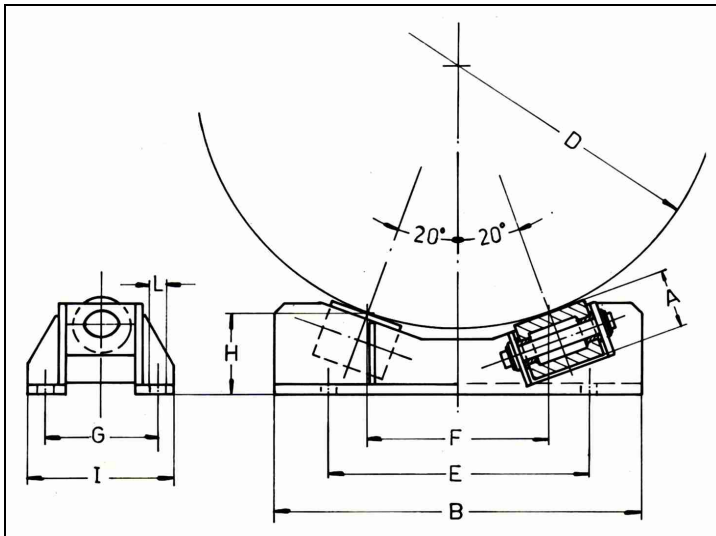
Treatment: zinc plated (white colour)

Applications:

This type of support is particularly proper to sideways drive the pipelines, but it is also used as guide of horizontal slide allowing to eliminate resistance between the pipeline and its supports.

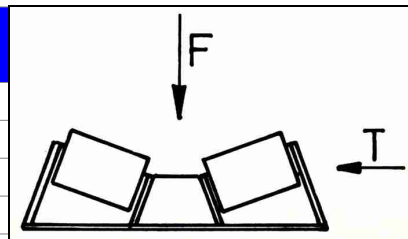
Installation:

The support is connected to the plant through bolts.



Type	D min [mm]	D max [mm]	Maxload [kg]	A [mm]	B [mm]	E [mm]	F [mm]	G [mm]	H [mm]	I [mm]	L [mm]
OC 10	500	800	8000	70	450	320	245	140	100	180	16
OC 20	800	1200	15000	88	640	500	340	200	130	250	18
OC 30	1200	1600	25000	132	900	700	480	280	180	340	22
OC 40	1600	2100	35000	170	1200	880	630	320	240	400	26

Type	F [kg]	T [kg]
OC 10	8000	2800
OC 20	15000	5200
OC 30	25000	8500
OC 40	35000	12000



Changes are possible without notice.